



Welcome! to our world

90GO!

MAXIMUM POWER
RM 90GO! NO COMPROMISES
GREATER PERFORMANCE, MORE FLEXIBILITY.



90GO!



NO COMPROMISES

GREATER PERFORMANCE, MORE FLEXIBILITY.

With the RM 90GO!, RUBBLE MASTER presents a low-noise high-performance crusher that meets the most demanding expectations in terms of power and handling. Suitable for the widest range of applications, the RM 90GO! is ready for action within a few minutes to process rapidly and efficiently any mineral material such as C&D waste, concrete, asphalt, glass, coal, natural rock and even reinforced concrete to produce high quality construction materials.

The RM GO! strategy enables any user to start up and operate the machine quickly and easily. With the RM 90GO! you earn money from the start - powerful, versatile, reliable and profitable.

HIGHLIGHTS

THE TECHNICAL HIGHLIGHTS

The RM 90GO! stands out through innovative technology that improves your daily work. The mobile high-performance crusher scores with high reliability, value retention, cost efficiency and productivity, as reflected in the very low operating costs.



Vibro feeder

The innovative single-piece vibro feeder with integrated prescreening means that material is fed into the crusher in an optimum manner.



Quiet engine

The RM 90GO! stands out through a high-performance and at the same time quiet engine. This means that it is also ideal for use in noise-sensitive areas.



Innovative drive concept

Thanks to the typical RUBBLE MASTER drive concept fuel consumption is kept very low, thus reducing running costs.



Crusher

The RUBBLE MASTER crusher excels through low wear costs and high productivity. And, thanks to the integrated release system and the crusher's quick-closing mechanism, downtime is reduced to a minimum.



DATA

RM 90GO! – TRACKED MOBILE IMPACT CRUSHER

Output	Up to 200 t/h, depending on material
Feed material size	Edge length max. 650 mm
Inlet opening	860 x 650 mm
Crusher unit	RUBBLE MASTER impact crusher with 2 or 4 hammers
Operation	One operator using radio control for crushing and manoeuvring operations
Feed unit	Asymmetric vibro feeder with 2.6 m ³ and 2 vibrator motors each 3.1 kW, loading height 2,880 mm, effective feed length and width: 2,980 x 1,990 mm Feed control system for automatic crusher feeding Hardox 400 wear lining
Prescreening	Efficient prescreen with mesh screen Screen area 1,050 x 800 mm discharge on main conveyor belt by means of fully integrated bypass chute or via optional side discharge belt
Main discharge belt (crushed material)	Folding conveyor 800 mm wide, folds into transport position hydraulically Discharge height 2,950 mm
Discharge belt (screened material)	Folding conveyor 500 mm wide, folds into transport position hydraulically Discharge height 2,400 mm
Power unit	John Deere (Stage III A at constant engine speed), 6 cylinder, 194 kW at 1,800 rpm, synchronous generator 40 kVA 400 V, electrical outlets 230 V and 400 V for external drives up to 15 kVA, optional engine tier 4f/stage IV Optional RM 90TWO GO! John Deere constant speed engine - emissions regulation tier 3/stage IIIa, for additional electric crushing capability using external power supply, variable rotor speed, available only without RM MS95GO!, RM OS80GO! and RM RFB7540GO!
Release system	To remove blockages inside crusher
Magnetic separator	Ultra-strong magnet, operates to left and right, belt width 800 mm
Transport system	Crawler gear
Weight	23,600 kg
Options	Dust suppression using water spray inside crusher and at outlet and belts Diesel filling pump Crusher hammer changing system Cable remote control Central lubrication system Blind plate for grizzly
Add-on equipment	RM MS95GO! mobile single screen unit with a screen surface of 2.3 x 1.1 m and two belts for precisely screened product. Screen unit in combination with an RM RFB7540GO! for oversize grain refeeding in a closed circuit or stockpiling oversize grain at an angle between 90° and 180°. Weight: 4,000 kg



Optional side discharge belt

With the optional side discharge belt any fines can be removed prior to processing which increases the quality of the finished material.



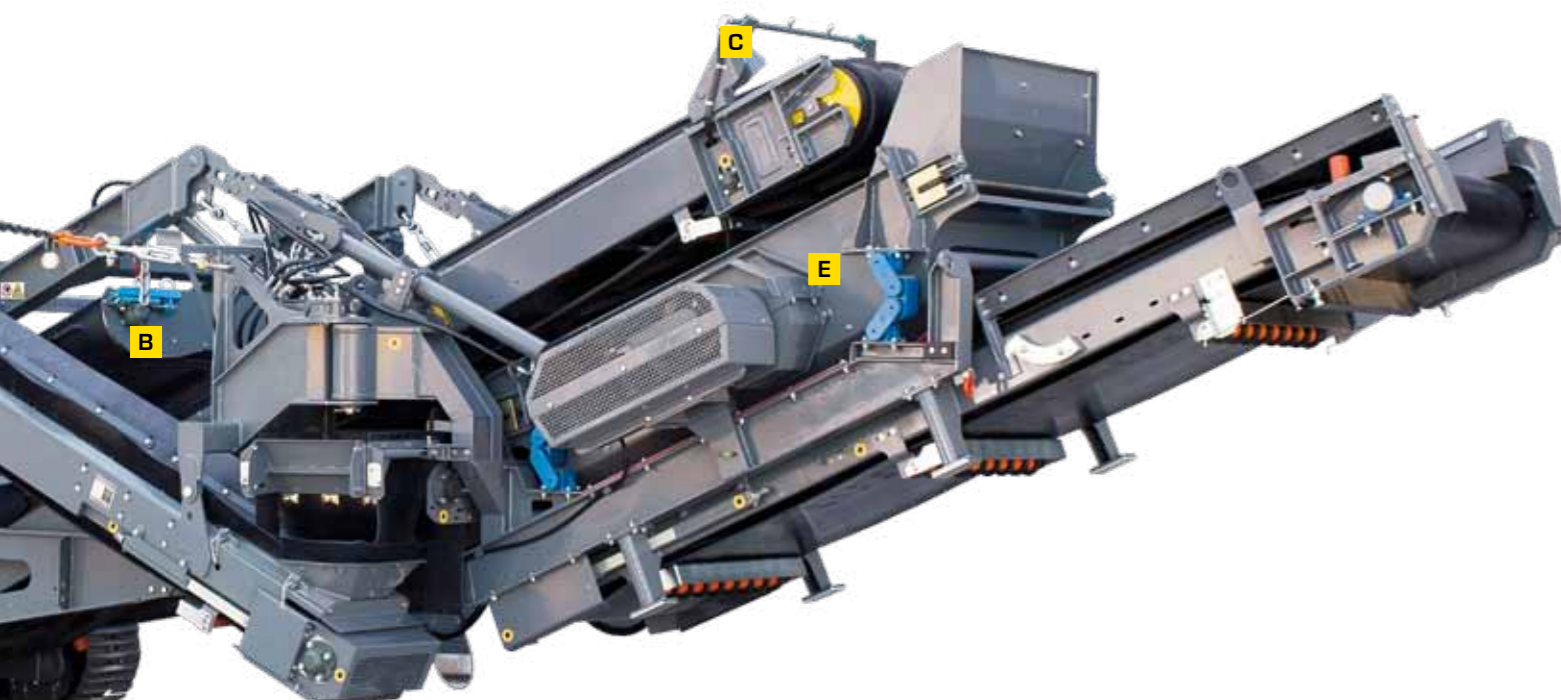
Magnetic separator

The short distance from the crusher outlet to the magnetic separator avoids blockages and, thanks to the strong permanent magnet, metal is removed from the crushed material.



Dust suppression system

The optional dust suppression system means that you can process mineral materials also in very sensitive areas. The dust is kept down at the critical points by a fine water spray.



Discharge conveyor belt

The discharge belt stands out through high reliability and long service life. Servicing jobs such as removal, replacement or adjustments are carried out easily and quickly. Thanks to the optional rib belt you have less wear and better steel removal.



RM MS95GO! mesh deck screen with pivoting refeeding belt

High level of screening accuracy is guaranteed with the RM MS95GO! mesh deck screen, which is mounted on the machine using a handling frame. Oversized grain is transported back to the vibro-channel using the optional RM RFB7540GO! refeeding belt, and then fed back into the crusher.



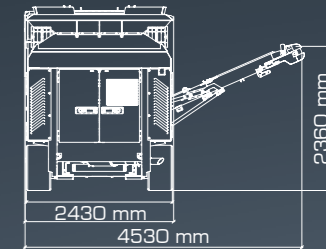
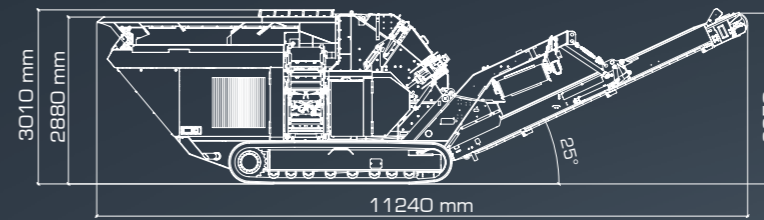
RM RFB7540GO!

The RM RFB7540GO! is mounted directly on the RM MS95GO!. Thanks to the hydraulic pivoting mechanism, you can quickly and easily change between transport position and working position at the press of a button. The pivoting refeeding belt also allows the oversized grain to be deposited at any angle within an arc of 90° and 180°. Trucks can now be filled directly with oversized grain as a result of the increased output.

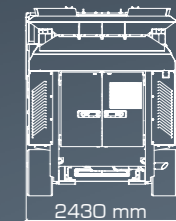
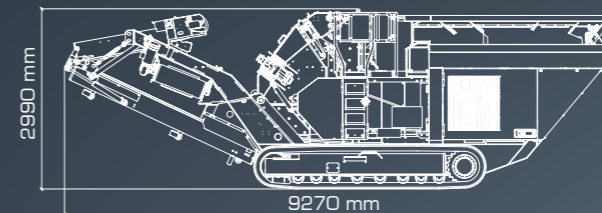
DIMENSIONS

RM 90GO!

WORKING POSITION

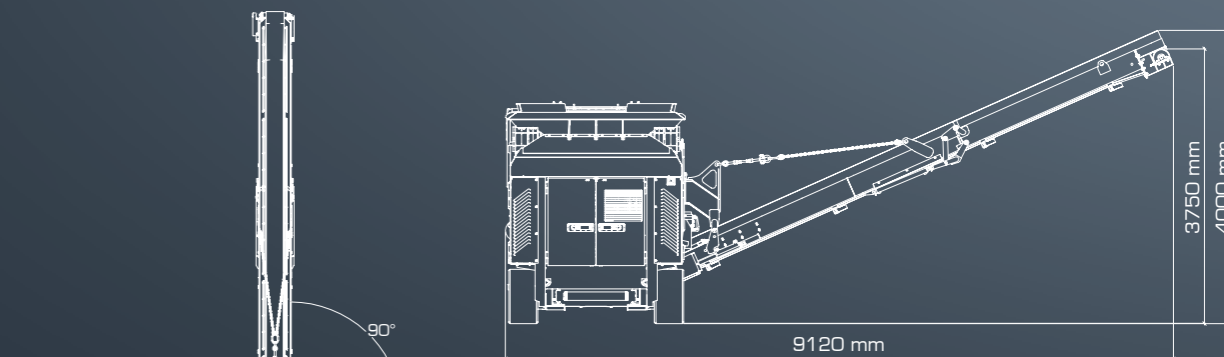
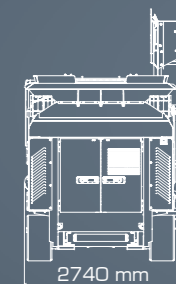
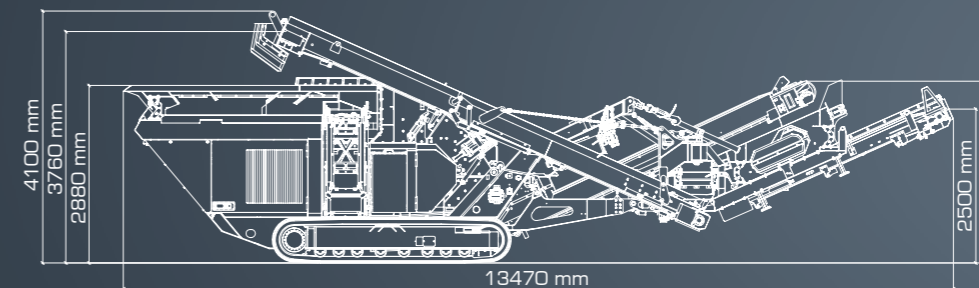


TRANSPORT POSITION

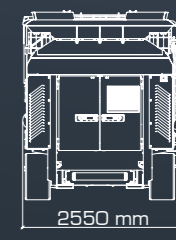
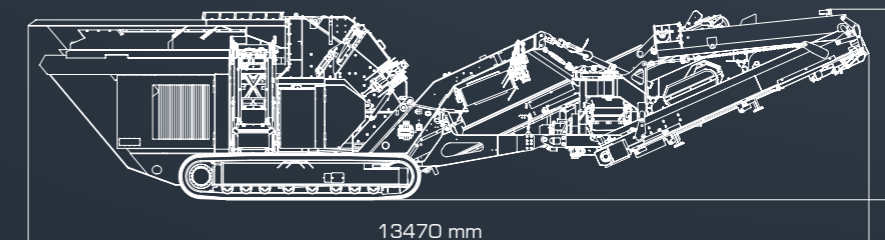


RM 90GO! + RM MS95GO! + RM RFB7540GO!

WORKING POSITION



TRANSPORT POSITION



Dimensions in mm. Specifications subject to change in line with technical developments. The machine complies with Guideline 2006/42/EC of the European Parliament.

Contractor

Better than competitors
Advantage through flexibility

RM 90GO!

- ▶ Road building companies
- ▶ Contract crushers
- ▶ Gravel pits
- ▶ Quarries

Services offered:

Processing of construction debris to make high-value recycled building materials

Starting point:

- ▶ High cost pressure from competitors
- ▶ Job sites becoming smaller
- ▶ Rising transport costs

Benefits as a result:

- ▶ Efficient recycling (even small quantities) thanks to innovative technology
- ▶ Reduced costs – easy transport through compact machine design



Easy transportation

The transportation and also the loading and unloading of the RM 90GO! work quickly and uncomplicatedly – so you are ready to work even faster.



Safe ground-based service

The engine which is mounted beneath the vibro feeder can be accessed from three sides and thus enables you to carry out maintenance and servicing safely and efficiently from the ground.



Strong in every environment

The high-performance crusher stands out through high flexibility – even if space is limited – wherever it is used.



GO!

Simply push the button and away you go – the innovative GO! principle means you benefit directly and quickly. And, thanks to the standard remote control, you can operate all relevant functions on the machine – so you save both time and money.

Production company

New line of business
Turn waste into profit

RM 90GO!

- ▶ Production waste from ready-mixed concrete, bricks, tiles, etc.
- ▶ Glass, railway sleepers, track ballast

Services offered:

Brick-, glas- and tile production...

Starting point:

- ▶ Disposal of waste production materials is very expensive

Benefits as a result:

- ▶ Thanks to being able to recycle waste production materials in-house they can be put back into the production cycle for savings in energy, disposal and the procurement of new material



Natural rock industry

Reliable and professional
More efficient thanks to decentralised processing

RM 90GO!

- ▶ Value grain from natural rock
- ▶ For existing and new quarries
- ▶ For standalone use or in combination with other machinery

Services offered:

- ▶ Production of high quality cubic final grain

Starting point:

- ▶ High running costs need to be reduced
- ▶ Existing capacities have to be expanded
- ▶ Not cost efficient with centralised processing

Benefits as a result:

- ▶ Low initial investment
- ▶ Lower running costs thanks to decentralised processing
- ▶ High-quality end product



BENEFIT

1, 2, 3, GO! – BENEFIT FROM THE WORD GO

Mobility, flexibility, easy maintenance and clear operating steps make the high-performance crusher unique. The RM 90GO! shows you your benefits reliably day after day: earning money – with top performance.

“ The RM 90GO! is the ideal machine. Easy to transport, powerful and flexible in use. Perfect for me as a contractor ”

THOMAS NUSSBAUMER,
NSB SCHOTTERGEWINNUNGS-GMBH,
AUSTRIA



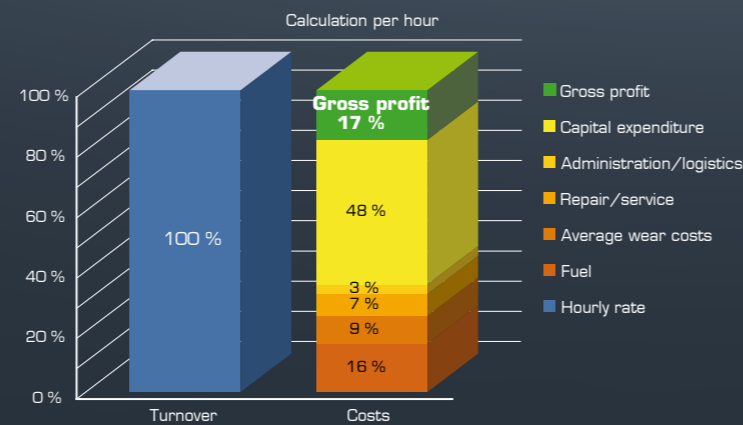
RECYCLING IN THE CONSTRUCTION BUSINESS

The **RM Compact Crusher** reduces the costs of storage, disposal and procurement and thus help to improve the clients overall cost structure. The cost-efficient recycling of rubble with a **RM Compact Crusher** generates additional value added with existing machines and overheads can be covered as a result. This improves the competitive strength of the user.



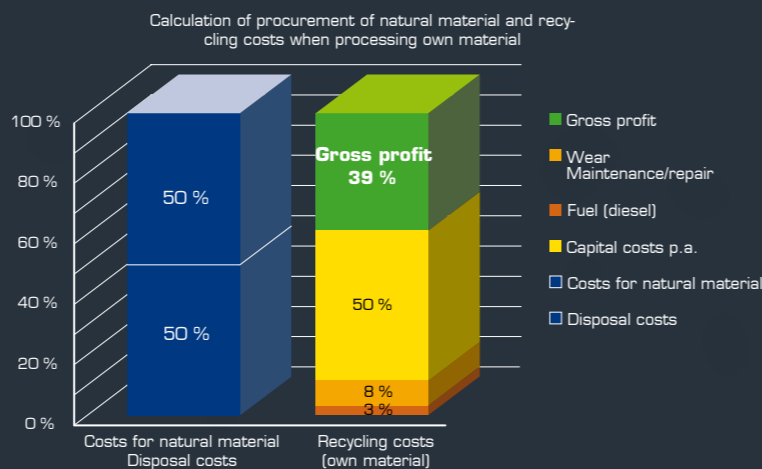
RECYCLING AS A SERVICE

Despite their low transport weight, all RM Compact Crushers have remarkable throughput capacities with low wear and low fuel consumption. They are easy to transport without any permits necessary and are ready for operation within a matter of minutes. This means that small and medium quantities can also be processed economically. As there is not much competition in this segment, considerably better prices can be achieved.



RECYCLING TO MAKE RAW MATERIALS

Recycling waste production materials enables the customer to streamline the value added chain as the costly procedures for the waste removal no longer apply. These waste production materials can then be put back into the production cycle again and procurement costs for new material can be reduced as a result.



PRODUCTION WASTE



BROKEN ASPHALT



CONSTRUCTION DEBRIS



NATURAL ROCK



RUBBLE MASTER

WELCOME! TO OUR WORLD

RUBBLE MASTER is the competent partner at your side. We offer you more than innovative machines that are lasting in value – we offer you RM Lifetime Support:

TRAINING PROGRAMMES (RM-ACADEMY)

We support you with structured training programmes which meet your requirements and turn operators into specialists.

CONTINUOUS ON-SITE SUPPORT

We offer you permanent on-site support through our partners so you can work with maximum efficiency and productivity at all times.

SITE ORGANISATION SUPPORT

Based on our many years of experience we, working together with you, optimise the design and settings of the machine and site logistics, which ensures you save costs.

SPARE PARTS SERVICE

The fast supply of high-quality original RM spares and wear parts reflects our commitment to service. Plus it optimises the availability of your machines at the same time.

RM SERVICE CENTRE

Our RM SERVICE CENTRE in Linz offers you even greater service expertise and the unrivalled quality of the manufacturer service.



“ Processing mineral materials is more than business to us, it is a way of life.

GERALD HANISCH, RUBBLE MASTER Founder & CEO ”

We are committed to the innovative spirit to be able to offer you products and services at all times which improve your daily business in a lasting way. This passion is your guarantee for machines which fulfil your requirements in every respect. Implemented by a team of experts who are at your side as strong, reliable and always professional partners.



Welcome! to our world



RUBBLE MASTER HMH GMBH
IM SÜDPARK 196, AT 4030 LINZ, AUSTRIA
TEL: +43 732 73 71 17 - 360
FAX: +43 732 73 71 17 - 101
E-MAIL: SALES@RUBBLEMASTER.COM

WWW.RUBBLEMASTER.COM